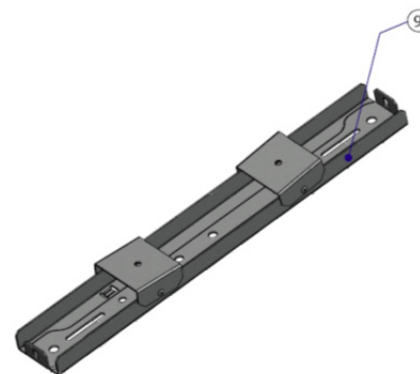
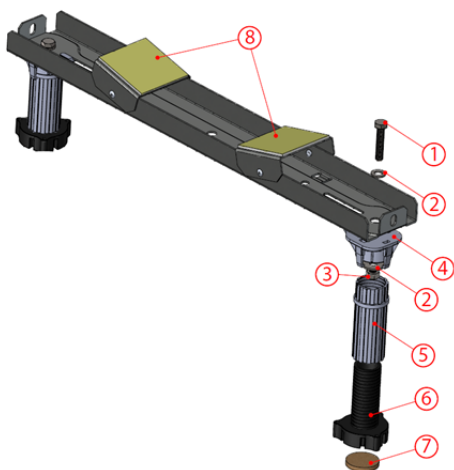




1. Application:

Description	Customer Article codes	Manufacture Article codes	EAN13
Bolt on leg set "Adapt" - (Compatible with vitreous steel panels) – Laufen Set	APM ROS ZFL	APM ROS ZFL	5603687900684

2. Components description:



Nº	Sub. Group	Components	Qty.
1	APMADPRS0 - Fittings bag "Bolt on" version	Bolt M8 - DIN933	4
2		Flat washer large. M8 - DIN2021	8
3		Screw-nut M8 - DIN934	4
4	ADAPT levelers	ADAPT levelers - base	4
5		ADAPT levelers - Column	4
6		ADAPT levelers - feet	4
7	Adhesive tape and base cushion	Cork/rubber anti-noise base cushion	4
8		Bi-Adhesive Tape	4
9	Group : Crosspiece + Adapt plate - Assembly	Crosspiece ADAPT (≈2,0mm galvanized steel)	2 (*4)
		* Adapt plate ADAPT (≈2,0mm galvanized steel)	

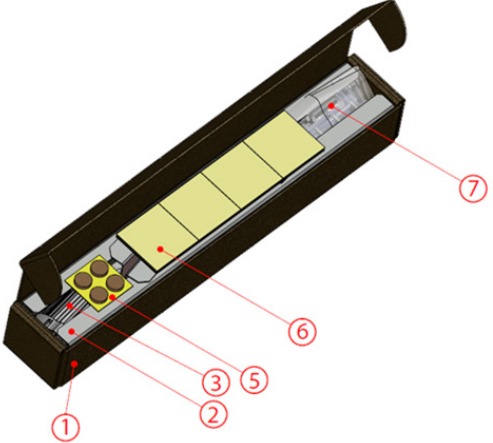
!!!!SUBJECT TO TECHNICAL ALTERATIONS, TOLERANCES AND ERRORS. SIMILAR ILLUSTRATION!!!!

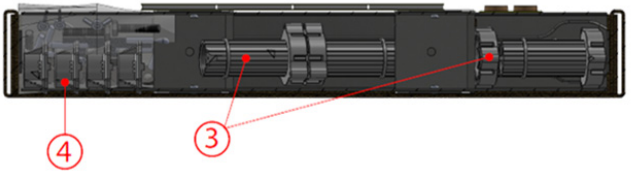
1	15/12/2014	Laufen Nordic Aps / Tømmervej 2, DK-4600 Køge	BLB -INDUSTRIAS METALURGICAS, S.A. APARTADO 3041 3754 ALAGOA (901 Agueda -Portugal)
Revision	Date	Brand dealer	Manufacture

	Product technical datasheet	Document code
	<i>Installation aids</i>	QU93_03_APMROSZFL
	Metal feet – ADAPT	Page: 2 de 3

3. Metal feet primary packaging description:

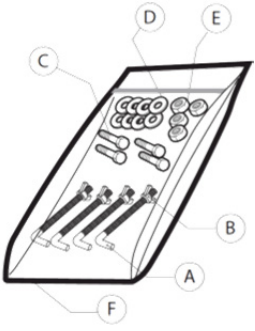
Nº	Description	Laufen bolt-on version
1	Cardboard box <i>Bolt on version</i>	1
2	Crosspiece	2
	Adapt plate	4
3	ADAPT levelers	4
4	ADAPT levelers (bases)	4
5	Cork/rubber anti-noise base cushion	4
6	Bi-Adhesive Tape	4
7	Fittings bag <i>Bolt on version</i>	1





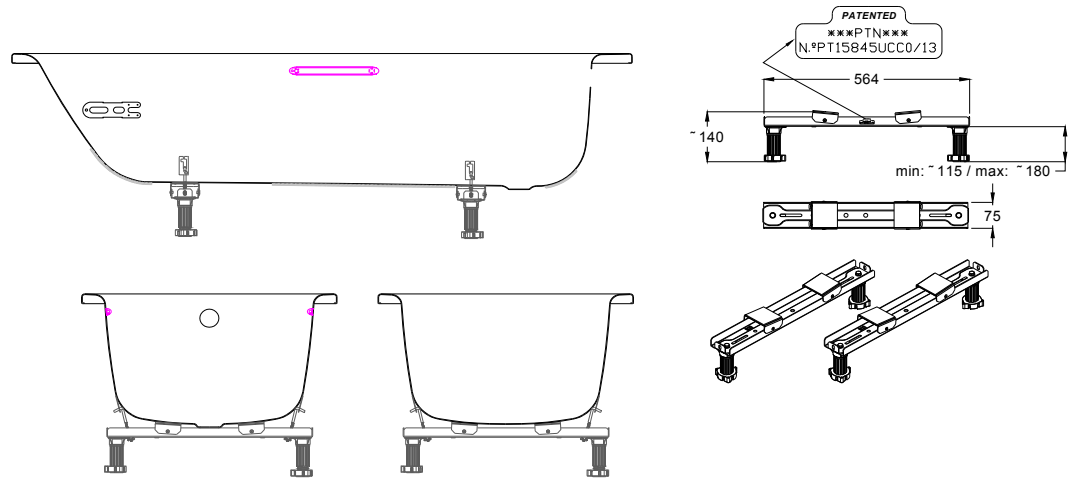
3.1 Fittings bag - Laufen bolt-on version:

letter	Component:	Qt.
A	Screwed Hock M6x100	4
B	Wing nut M6	4
C	Bolt M8 - DIN933– DIN933	4
D	Flat large washer. M8 - DIN2021	8
E	Screw-nut M8 - DIN934	4
F	Plastic bag	1

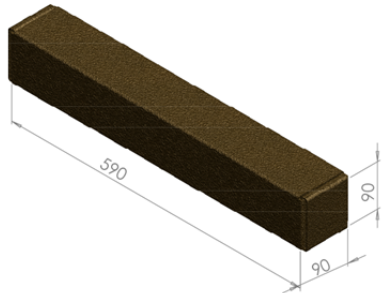


!!!!SUBJECT TO TECHNICAL ALTERATIONS, TOLERANCES AND ERRORS. SIMILAR ILLUSTRATION!!!!			
1	15/12/2014	Laufen Nordic Aps / Tømmervej 2, DK-4600 Køge	BLB -INDUSTRIAS METALURGICAS, S.A. APARTADO 3041 3754 ALAGOA (901 Agueda -Portugal)
Revision	Date	Brand dealer	Manufacture

4. General dimensions:

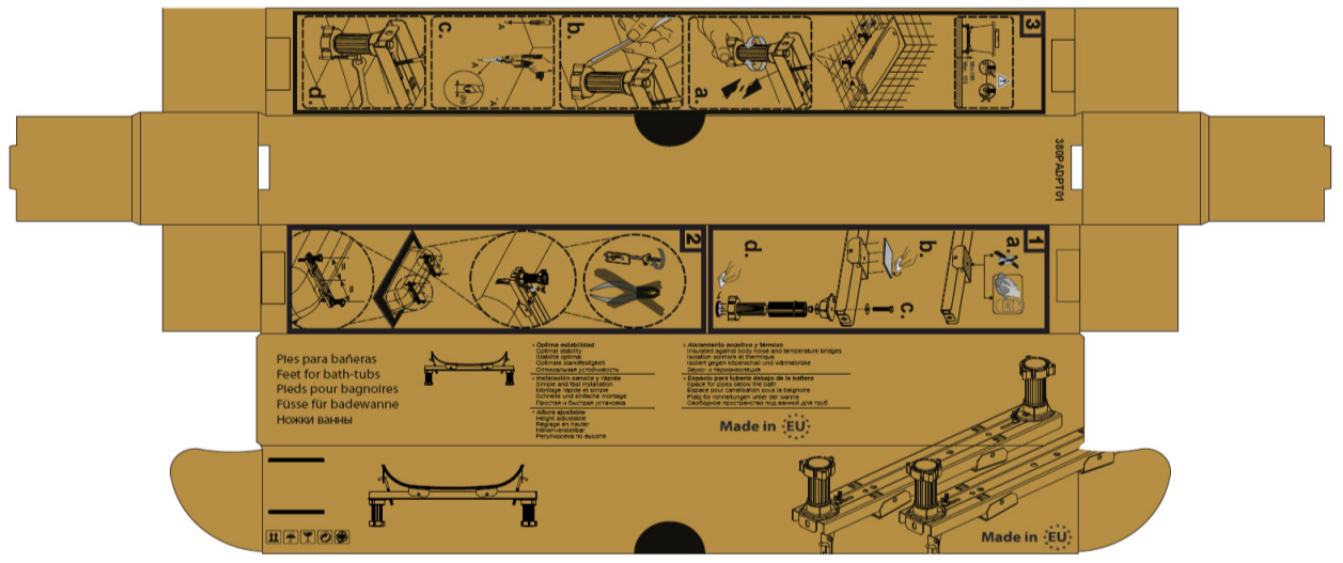


5. Weight:

<p>Net Wight:</p> <ul style="list-style-type: none"> APMROSZFL: 2,17 kg 	<p>Gross Wight:</p> <ul style="list-style-type: none"> APMROSZFL: 2,5kg 	<p>Unit packaging dimensions:</p> <ul style="list-style-type: none"> 590x90x90 (mm) 
--	--	---

6. Assembly instructions (printed on cardboard box):

- Bolt on version:



!!!!SUBJECT TO TECHNICAL ALTERATIONS, TOLERANCES AND ERRORS. SIMILAR ILLUSTRATION!!!!			
1	15/12/2014	Laufen Nordic Aps / Tømmervej 2, DK-4600 Køge	BLB -INDUSTRIAS METALURGICAS, S.A. APARTADO 3041 3754 ALAGOA (901 Agueda -Portugal)
Revision	Date	Brand dealer	Manufacture